



HIGH PERFORMANCE FIBERS FOR FIBER LASERS

RB980 FIBER LASER



FEATURES:

- 978 nm wavelength
- High reliability
- Pump laser diodes included
- Maintenance free operation
- Requires no external cooling - heat sink and fan included
- Monolithic laser design mounted in robust aluminium case

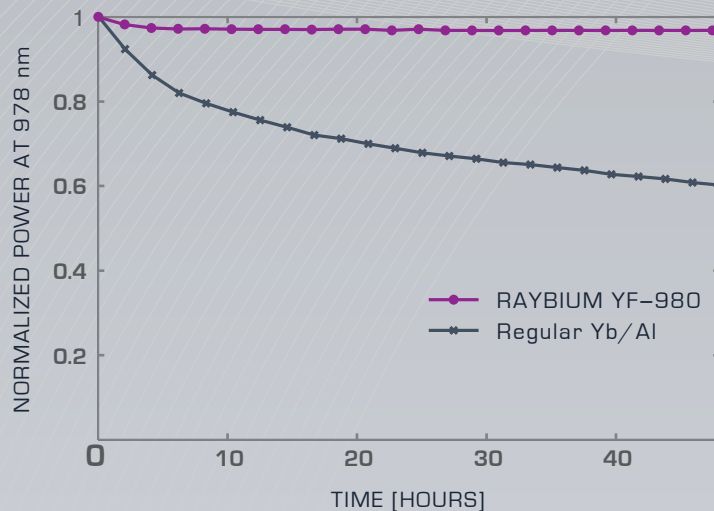
APPLICATIONS:

- Scientific
- Materials processing
- Second harmonic generation

www.raybium.com

RB980 FIBER LASER

Fiber sources around 980nm places high demands on the active Yb-doped fiber due to very high inversion levels. In the RB980 we use the RAYBIUM YF-980-25/125 active fiber, which is designed for operation in the 975-1010nm range. The figure shows the output power stability for the YF-980-25/125 fiber and a regular Yb-doped aluminosilicate fiber.

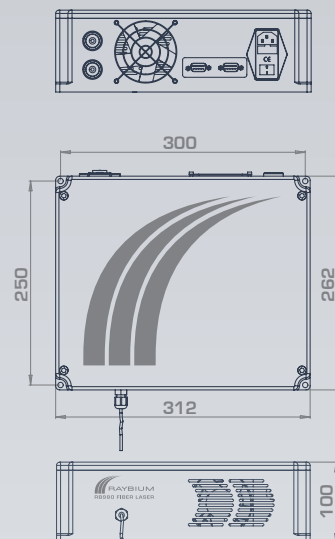


SPECIFICATIONS

Operation mode	CW
Wavelength	978 nm
FWHM	<0.5 nm
Polarization	Random
Output power	5 W ¹
Output power stability	<3% degradation in operating lifetime
Output beam quality	M ² <2
Output fiber length	1.5 m
Output fiber connector	Optoskand SMA0.5Q
Operating voltage	240V (110V)
Weight	12 kg
Dimensions	312×262×100 mm
Mounting	Bench-top
Option	Also available in a MOPA configuration

¹Higher power version is under development

DRAWINGS



www.raybium.com

